

Accessories for Aerial Microduct Assemblies

Anchoring, Suspension Clamps and Pole Brackets



Application

The aerial duct support fittings are of the wedge clamp type and very easy to install. They are easily mounted to the duct assembly without any cutting or splitting. The fitting is very gentle to the ducts due to the length and shape of the wedge and provides for quick and easy installation.

For each type of duct-assembly suitable fittings have been selected and tested.

Easy

The anchoring clamp installation procedures are very uncomplicated. The design of clamp reduces the risk of injuries during emplacement.

Quick

The installation time is cut down to a minimum. The time usually spent preparing the duct-assemblies can be saved and the use of knives, stripper, is no longer required.

Safe

Since no cutting tools are required to secure the duct-assemblies aloft, there is an enormous reduction to the risk of injury to the lineman.

Savings

In installation time, training time, products and maintenance.



Accessories for Aerial Microduct Assemblies

Anchoring Clamp – NSF 151 601

For FRP messenger figure-8 aerial duct-assemblies.

Material

Body..... UV protected thermoplastic

Wedges..... UV protected thermoplastic

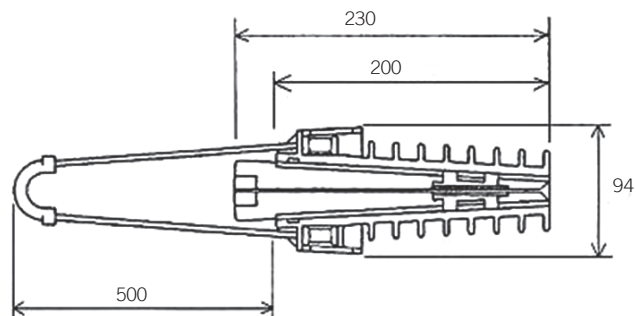
Bail..... Stainless steel

Capacity

(messenger outside Ø) 8 to 10 mm

Weight 0.4 kg

Minimum failing load..... Depending on duct type



Ordering Information

PRODUCT NUMBER	PACKAGE QUANTITY	SUITABLE FOR DUCT ASSEMBLY
NSF 151 601	30	MPB 302 25/8, MPB 302 25/9, MPB 302 24/12

Anchoring Clamp – NSF 151 701

For FRP messenger figure-8 aerial duct-assemblies..

Material

Body..... UV protected thermoplastic

Wedges..... UV protected thermoplastic

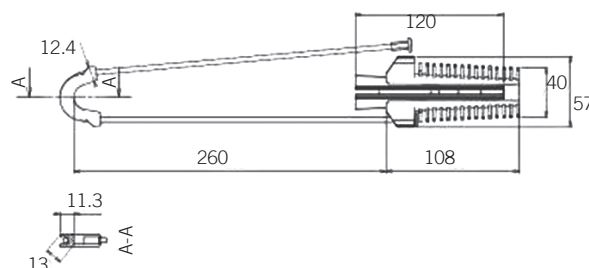
Bail..... Stainless steel

Capacity

(messenger outside Ø) 6 to 8 mm

Weight 0.15 kg

Minimum failing load..... Depending on duct type



Ordering Information

PRODUCT NUMBER	PACKAGE QUANTITY	SUITABLE FOR DUCT ASSEMBLY
NSF 151 701	100	MPB 302 22/1, MPB 302 24/4



Accessories for Aerial Microduct Assemblies

Suspension Clamp – NSF 151 502

For FRP messenger aerial duct-assemblies and figure-8 cables.

Material

Body and Screw..... Hot dip galvanized steel

Jaws UV resistant thermoplastic

Capacity (messenger outside Ø)

7 to 11 mm (small groove 7-9 mm, large groove 9-11 mm)

Weight 0.22 kg

Minimum failing load..... Depending on duct type



Ordering Information

PRODUCT NUMBER	PACKAGE QUANTITY	SUITABLE FOR DUCT ASSEMBLY
NSF 151 502	50	MPB 302 24/4, MPB 302 24/12, MPB 302 25/8, MPB 302 25/9

Hook for Suspension Clamp – NSF 151 100

For FRP messenger figure-8 aerial duct-assemblies..

Material

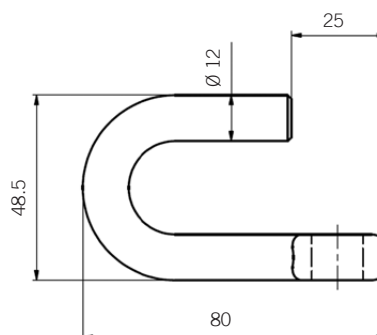
Body and Screw..... Hot dip galvanized steel

Weight 0.18 kg



Ordering Information

PRODUCT NUMBER	PACKAGE QUANTITY	SUITABLE FOR SUSPENSION CLAMP TYPE
NSF 151 100	1	NSF 151 502





Accessories for Aerial Microduct Assemblies

Universal Pole Bracket – NSF 151 611

Securing on wooden, concrete, or metallic poles.

Material

High strength aluminum alloy

Securing

With 2 steel bands 20x0.7mm or with 1 bolt \varnothing 14 or 16 mm

Weight

0.21 kg

Minimum failing strength (kN)

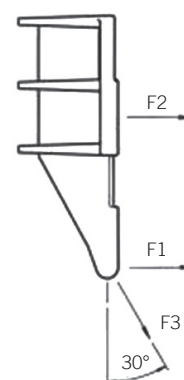
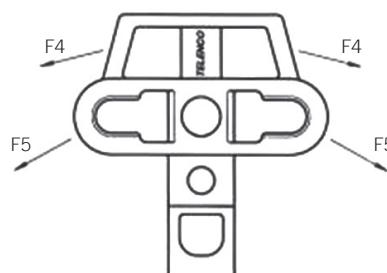
F1 15

F2 9

F3 27

F4 6

F5 15



Ordering Information

PRODUCT NUMBER	PACKAGE QUANTITY	SUITABLE FOR ANCHORING CLAMP
NSF 151 611	30	NSF 151 601, NSF 151 701